



## Positive Displacement Water Meter

### Model P

ARAD Model P is a positive displacement water meter, rotating piston type.

The flowing water causes the piston to rotate within its chamber, each piston revolution being equivalent to a known volume of water.

The piston movement is transferred by a magnetic coupling to the register which has the appropriate reduction gearing.

#### Features:

- Specially designed for high accuracy and wide measuring range.
- Sealed super-dry register.
- All ARAD electrical output versions are adaptable to the meter.

#### Applications

Domestic consumption and green houses.

#### Available Sizes

1/2", 3/4".

#### Standards

ISO 4064 (class C) and EEC metrological requirements.

#### Technical Specifications

<b>Maximum Working Pressure</b>	10 bar
<b>Maximum Working Temperature</b>	50°C
<b>Body</b>	Corrosion proof copper alloy
<b>Coupling threads</b>	P : BSP, NPT
<b>Connection</b>	PC : BSP



P type dial

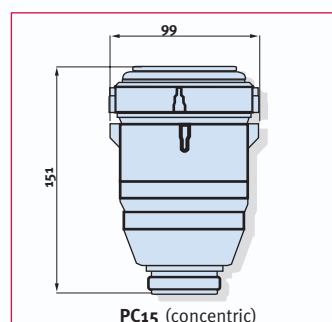
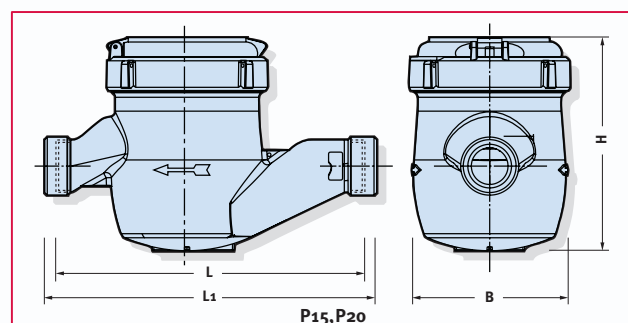
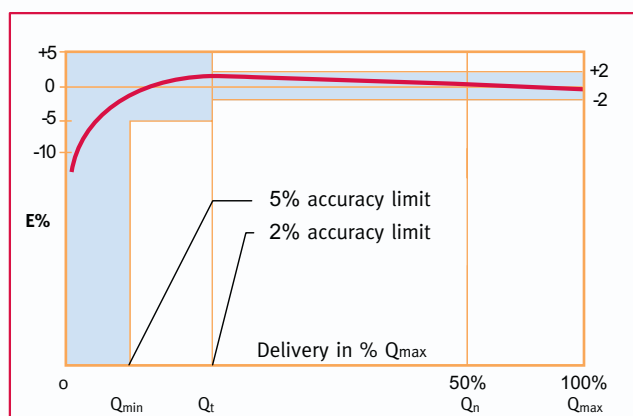
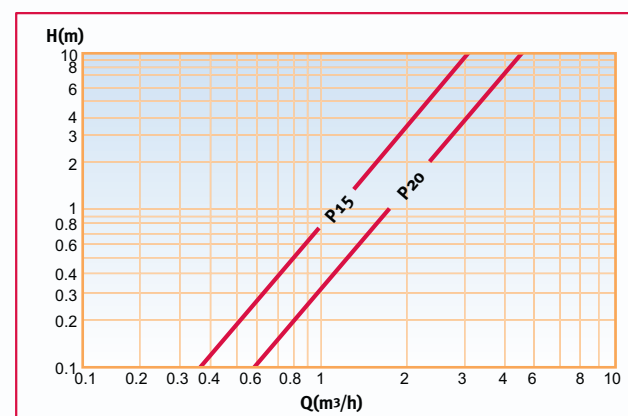


**Performance data:**

Model	Nominal Size (inch)	Q <sub>max</sub> Maximum flowrate (m <sup>3</sup> /h)	Q <sub>n</sub> Nominal flowrate (m <sup>3</sup> /h)	Q <sub>t</sub> Transitional Flowrate (l/h)	Q <sub>min</sub> Minimum Flowrate (l/h)	Maximum register capacity (m <sup>3</sup> )	Minimum register capacity (liter)	Accuracy between Q <sub>max</sub> & Q <sub>t</sub>	Accuracy between Q <sub>t</sub> & Q <sub>min</sub>
P15	1/2"	3	1.5	22.5	15	10 <sup>5</sup>	0.1	±2%	±5%
P20	3/4"	5	2.5	37.5	25	10 <sup>5</sup>	0.1	±2%	±5%
P15 (concentric)	1/2"	3	1.5	22.5	15	10 <sup>5</sup>	0.1	±2%	±5%

**Dimensions**

Model		P15 (short)	P15	P20	P15 (concentric)
Nominal size	(mm)	15	15	20	15
	(inch)	1/2	1/2	3/4	1/2
L – Length without couplings (mm)		165	190	190	-
L <sub>1</sub> – Length with couplings (mm)		260	285	285	-
B – Width (mm)		100	100	100	99
H – Height (mm)		108	108	112	151
Weight (kg)		1.40	1.50	1.75	1.45
Weight with couplings (kg)		1.60	1.70	2.10	-

**Accuracy Curve****Head Loss Curve****Installation Requirements**

- The meter can be installed in any position (horizontal, vertical or inclined)
- The meter must be always full of water while operating.
- Prior to the installation of a new meter, the pipeline must be flushed out.

